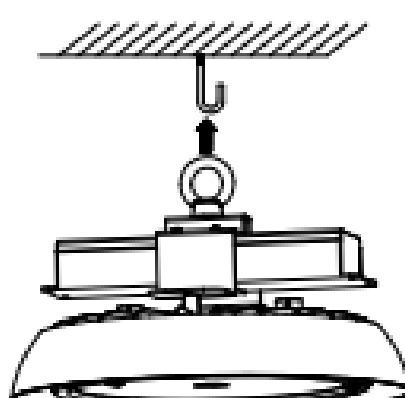
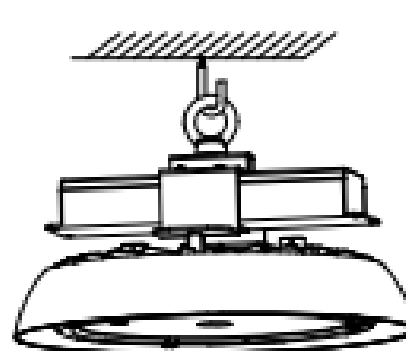
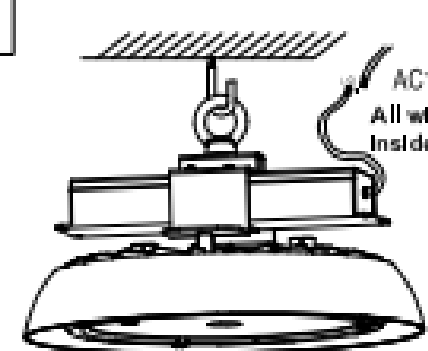
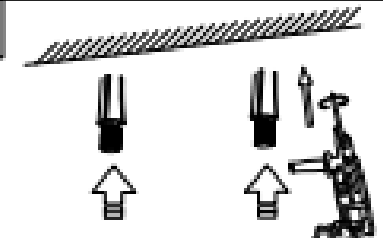
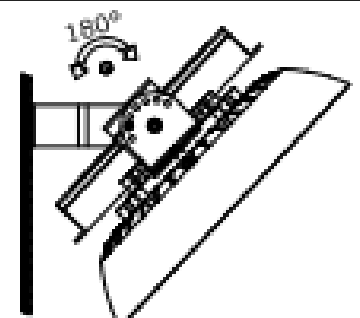
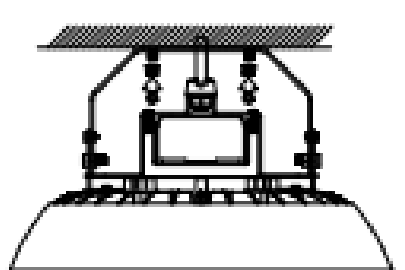
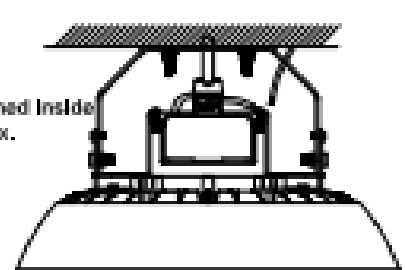
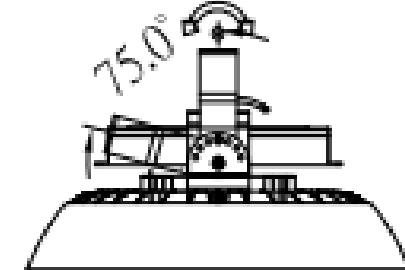


Installation Instruction: Installation 1

| | | |
|--|--|--|
| <p>1.</p>  <p>Drilling a hole in the ceiling, install a hook.</p> | <p>2.</p>  <p>Hanging the fixture.</p> | <p>3.</p>  <p>AC100-277V All wiring finished inside the junction box.</p> <p>Connect the cables, Brown-L, Blue-N, Green/Yellow-Ground take care of the waterproof processing.</p> |
|--|--|--|

Installation 2

| | | |
|--|--|--|
| <p>1.</p>  <p>Drilling holes in the ceiling, and install the expansion screws</p> | <p>2.</p>  <p>180°</p> <p>Walling installation</p> | |
| <p>2.</p>  <p>Fix the bracket.</p> | <p>3.</p>  <p>All wiring finished inside the junction box.</p> <p>Connect the cables, Brown-L, Blue-N, Green/Yellow-Ground take care of the waterproof processing.</p> | <p>4.</p>  <p>75.0°</p> <p>Adjust the bracket to the beam angle you need.</p> |